

AIRCRAFT WARNING LIGHTS

MEDIUM INTENSITY OBSTRUCTION LIGHT MIOL - AB / MIOL - AC



AWL - MIOL - AB/AC



AIRCRAFT WARNING LIGHTS

MIOL - AB / MIOL - AC

KEY FEATURES

- Based on LED technology
- 20.000cd day mode, WHITE
- 2.000cd night mode, RED
- Long life time >10+ years life expectancy
- Low consumption
- Stabilised light output
- Lightweight and compact
- Low wind load factor
- Alarm/remote status control
- Easy to install
- No RF-radiations
- Light output alignment device
- Patented beacon (EU 001929910-0001; Canada 145189; USA D673,474)

OPTICAL FEATURES

- Cd emission @ -0,5° and +4°
- Horizontal beam radiation 360°
- Vertical beam spread 4°
- PMMA lens

OPTIONS

- Dual AB: white flashing on day, red flashing on night
- Dual AC: white flashing on day, red steady burning on night
- Wind Collector
- Beacon support bracket
- Power supply AC or DC
- GPS (Global Position System) syncro

APPLY TO

- Airport - Stack - High building - Chimney - Tower crane
- Pipe line - Bridge - Radio and television tower
- Transmission line - Wind turbine - Wind mast measurement
- Radar - Antenna

ELECTRICAL FEATURES

- Average power consumption for day mode MIOL-AB/AC (@20fpm): 45W
- Average power consumption for night mode MIOL-AB (@20fpm): 10W
- Average power consumption for day mode MIOL-AB/AC (@40fpm): 110W
- Average power consumption for night mode MIOL-AB (@40fpm): 12W
- Average power consumption for day mode MIOL-AB/AC (@60fpm): 160W
- Average power consumption for night mode MIOL-AB (@60fpm): 16W
- Average power consumption for night mode MIOL-AC (steady burning): 50W
- LED fedded at constant current
- Lightning protection

MECHANICAL FEATURES

- Anodised aluminium central heat-sink for natural draft air cooling
- RAL7035 painted aluminium body lamp
- Bottom wind collector for central heat-sink cooling
- Borosilicate glass cover protection
- Silicon gasket
- Degree of protection: IP66
- Operating temp. range: -50°C to +80°C
- Storage temp. range: -20°C to +45°C
- Lamp unit weight: 7kg

INTERNATIONAL REGULATION

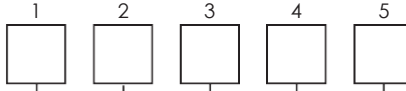
- ICAO Aerodromes - Annex 14 Volume 1, 6th Edition, July 2013 Chapter 6: Medium intensity, Type B flashing obstacle light MIOL-AB type, Type AC flashing/steady burning obstacle light MIOL-AC Type
- FAA AC150/5345-43F E.B. #67 Lamp type Dual L-864/L-865
- DGAC/STAC approval nr. 2013A037/2013A038
- ENAC approval nr. 0135182/ENAC/CIA
- CE marking

AIRCRAFT WARNING LIGHTS

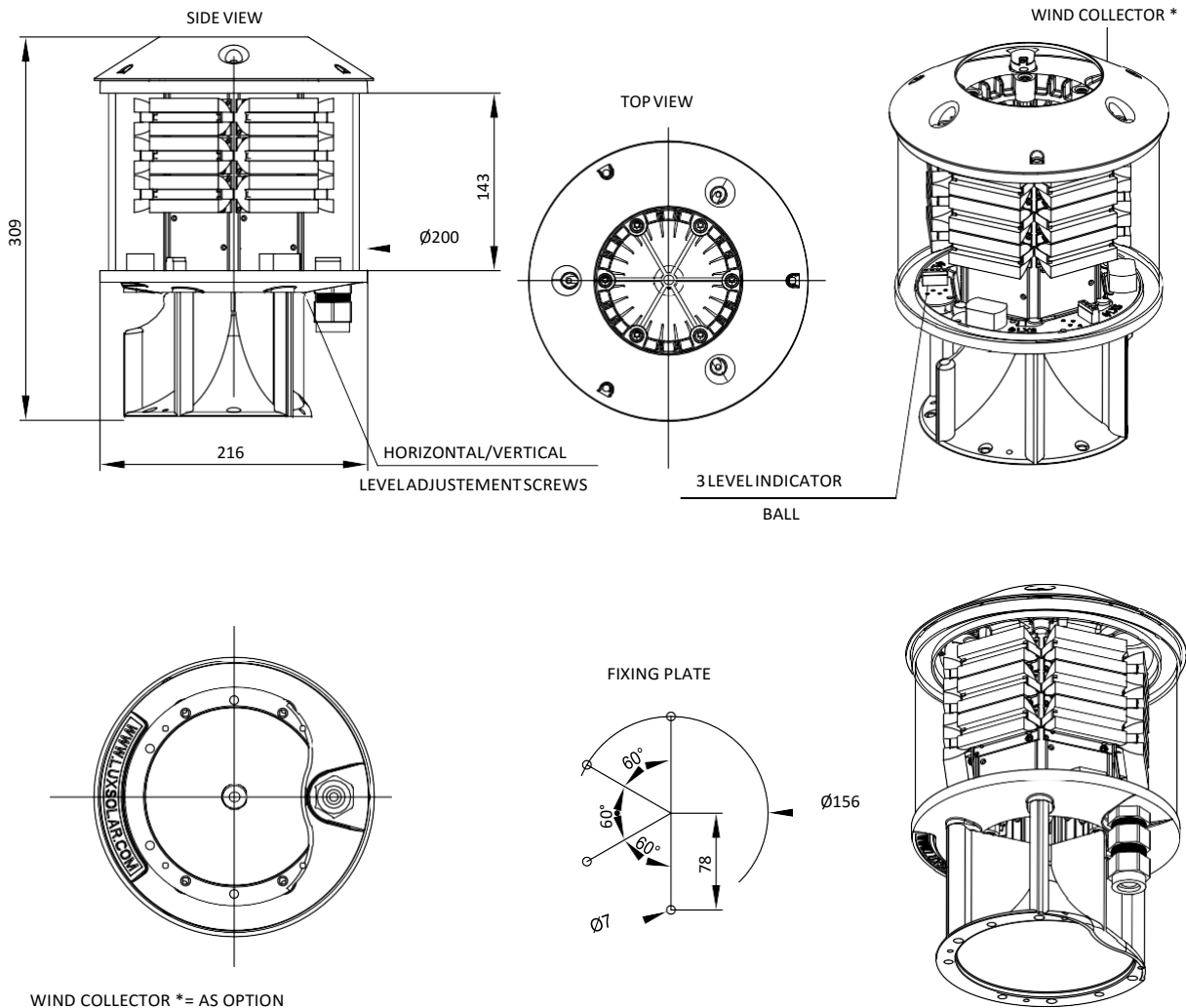
MIOL - AB / MIOL - AC

Order code

L864/L865-LXS-200



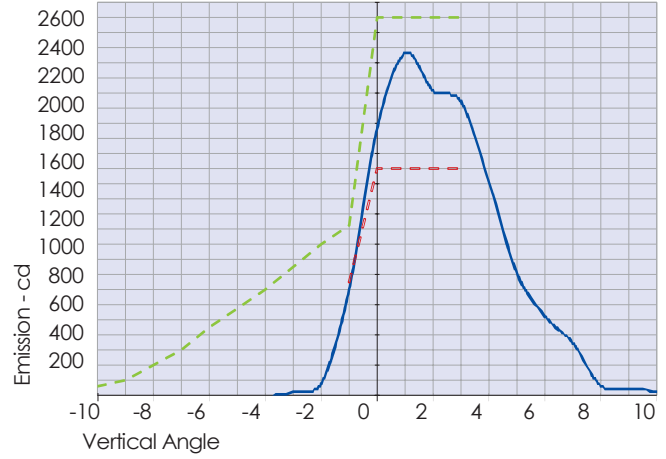
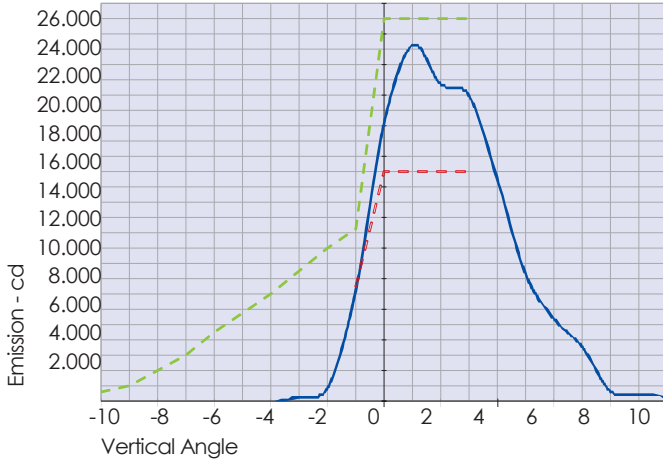
- Dual: white/red flashing light = AB
- Dual: white flashing light/red steady burning = AC
- 180° = 1
- 360° = 2
- Remote PSU = R
- Local PSU = L
- S = Standard
- I = Dual + infrared
- B = Base
- W = Wall
- S = Side



AWL - MIOL - AB/AC

AIRCRAFT WARNING LIGHTS

MIOL - AB / MIOL - AC



- L865-LXS-A average emission level at 90°C ambient temperature
- ICAO ANNEX 14 medium intensity type A Minimum Required Intensity
- ICAO ANNEX 14 medium intensity type A Maximum Required Intensity

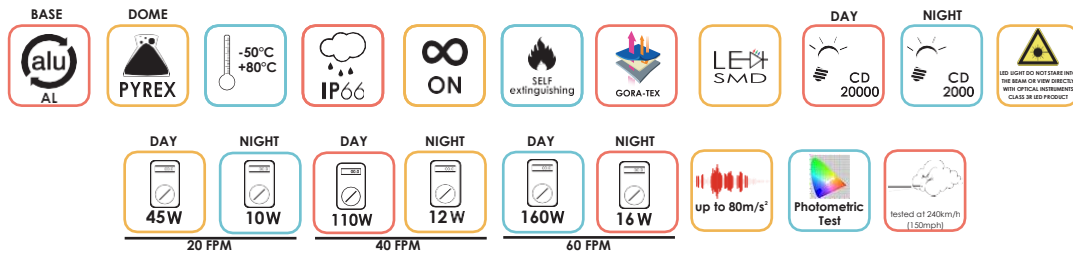
- L864-LXS-B average emission level at 90°C ambient temperature
- ICAO ANNEX 14 medium intensity type B/C Minimum Required Intensity
- ICAO ANNEX 14 medium intensity type B/C Maximum Required Intensity

AWL - MIOL - AB/AC

CERTIFICATIONS



FEATURES



TYPICAL APPLICATION

